

NVR301-X-Series



Key Features

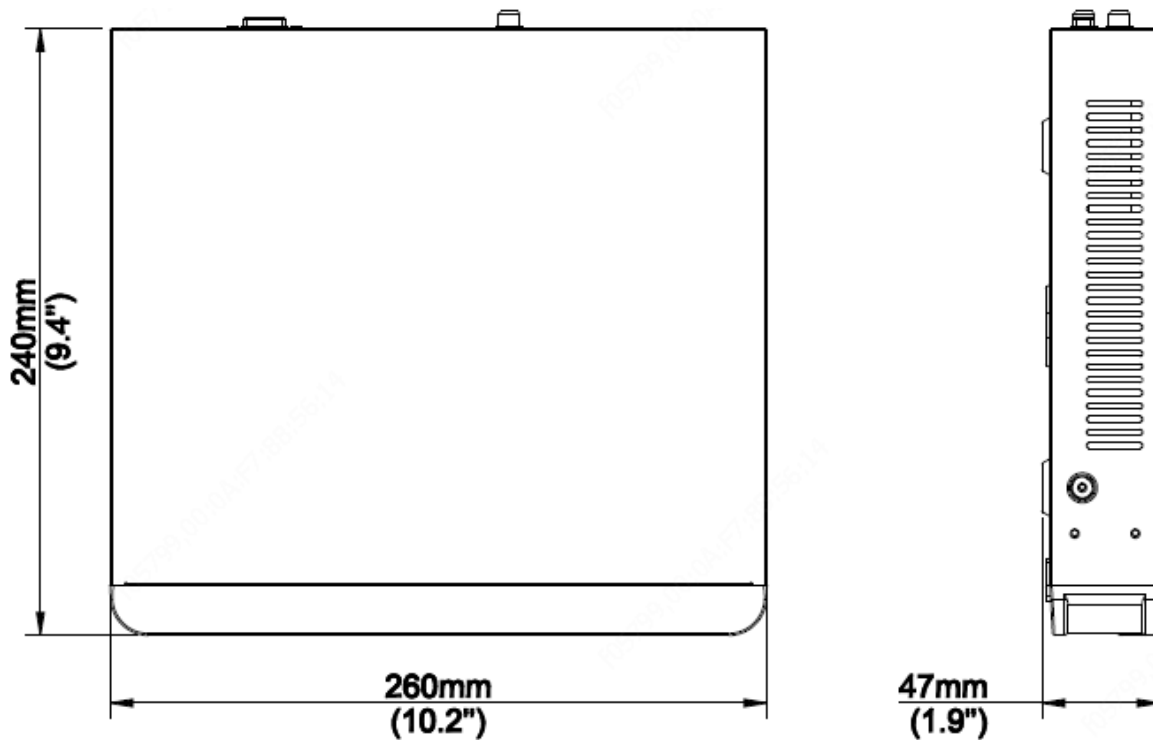
- Support Ultra 265/H.265/H.264 video formats
- 4/8/16-channel input
- Third-party IP cameras supported with ONVIF conformance: Profile S, Profile G, Profile T
- Support 1-ch HDMI, 1-ch VGA
- HDMI and VGA simultaneous output
- Up to 4K resolution recording
- 1 SATA HDD up to 6 TB
- Support cloud upgrade

Specifications

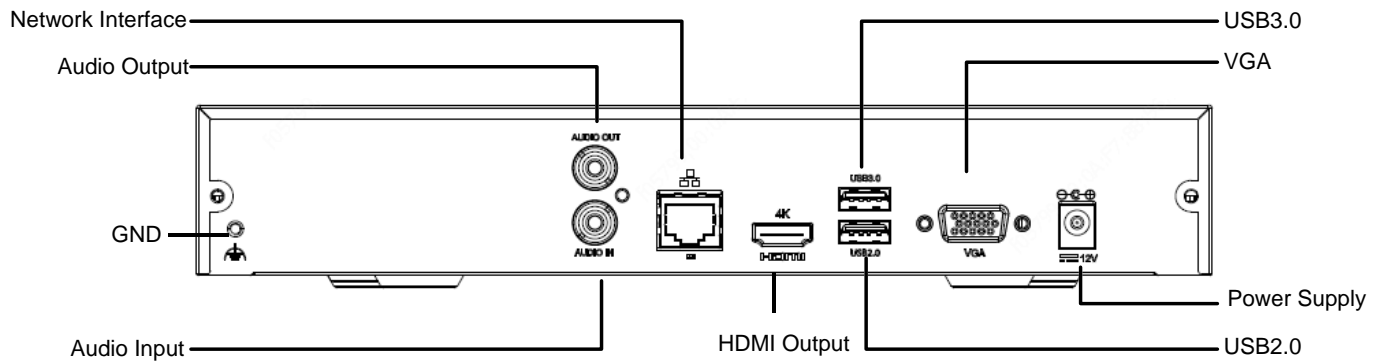
Model	NVR301-04X	NVR301-08X	NVR301-16X
Video/Audio Input			
IP Video Input	4-ch	8-ch	16-ch
Two-way Audio Input	1-ch, RCA		
Network			
Incoming Bandwidth	64Mbps		
Outgoing Bandwidth	64Mbps		
Remote Users	128		
Protocols	P2P, UPnP, NTP, DHCP, PPPoE		
Video/Audio Output			
HDMI/VGA Output	HDMI: 3840x2160/30Hz, 1920x1080p/60Hz, 1920x1080p/50Hz, 1600x1200/60Hz, 1280x1024/60Hz, 1280x720/60Hz, 1024x768/60Hz VGA: 1920x1080p/60Hz, 1920x1080p/50Hz, 1600x1200/60Hz, 1280x1024/60Hz, 1280x720/60Hz, 1024x768/60Hz		
Recording Resolution	4K/5MP/4MP/3MP/1080p/960p/720p/D1/2CIF/CIF		

Synchronous Playback	4-ch	8-ch	16-ch
Corridor Mode Screen	3/4	3/4/5/7/9	3/4/5/7/9/10/12/16
Decoding			
Decoding format	Ultra 265/H.265/H.264		
Liveview/Playback	4K/5MP/4MP/3MP/1080p/960p/720p/D1/2CIF/CIF		
Capability	2 x 4K@30, 3 x 5MP@30, 4 x 4MP@30, 5 x 3MP@30, 8 x 1080p@30, 16 x 720p@30		
Hard Disk			
SATA	1 SATA interface		
Capacity	up to 6TB for each disk		
External Interface			
Network Interface	1 RJ45 10M/100M self-adaptive Ethernet Interface		
USB Interface	Rear panel: 1 x USB2.0, 1 x USB3.0		
General			
Power Supply	12V DC Power Consumption: ≤8 W (without HDD)		
Working Environment	-10°C ~ +55°C (+14°F ~ +131°F), Humidity ≤ 90% RH (non-condensing)		
Dimensions (W×D×H)	260mm × 240mm × 47mm (10.2"×9.4"×1.9 ")		
Weight (without HDD)	1.3kg (2.87 lb)		

Dimensions



Rear Panel



Zhejiang Uniview Technologies Co., Ltd.

Building No.10, Wanlun Science Park, Jiangling Road 88, Binjiang District, Hangzhou, Zhejiang, China

Email: overseasbusiness@uniview.com; globalsupport@uniview.com

<http://www.uniview.com>

©2019 Zhejiang Uniview Technologies Co., Ltd. All rights reserved.

* Product specifications and availability are subject to change without notice.