

NVR301-04/08LB



Key Features

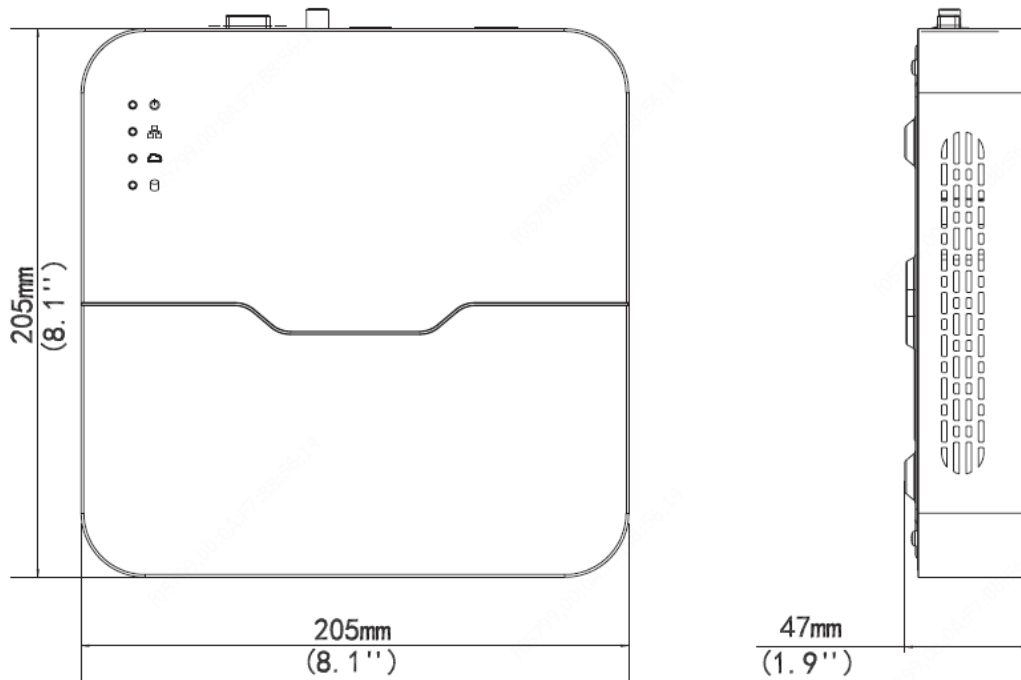
- Support Ultra 265/H.265/H.264 video formats
- 4/8-channel input
- Third-party IP cameras supported with ONVIF conformance: Profile S, Profile G, Profile T
- Support 1-ch HDMI, 1-ch VGA
- HDMI and VGA simultaneous output
- Up to 2MP resolution recording
- 1 SATA HDD, up to 10 TB
- Support cloud upgrade

Specifications

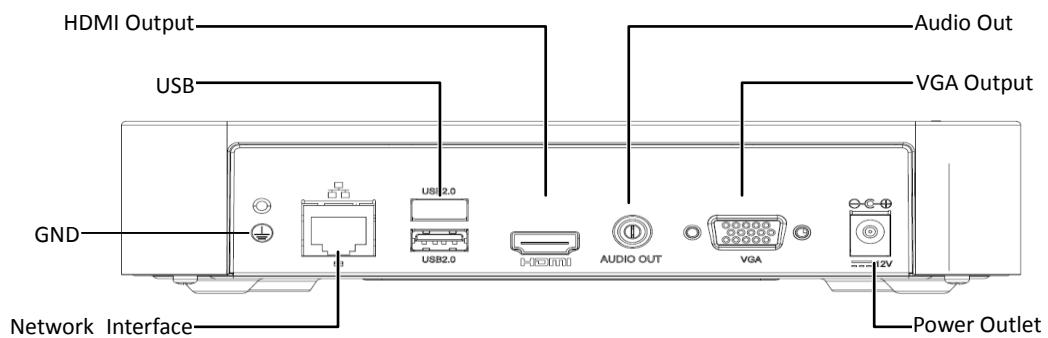
Model	NVR301-04LB	NVR301-08LB
Video/Audio Input		
IP Video Input	4-ch	8-ch
Network		
Incoming Bandwidth	40Mbps	
Outgoing Bandwidth	40Mbps	
Remote Users	128	
Protocols	P2P, UPnP, NTP, DHCP, PPPoE	
Video/Audio Output		
HDMI/VGA Output	HDMI: 1920x1080p/60Hz, 1920x1080p/50Hz, 1600x1200/60Hz, 1280x1024/60Hz, 1280x720/60Hz, 1024x768/60Hz	

	VGA: 1920x1080p/60Hz, 1920x1080p/50Hz, 1600x1200/60Hz, 1280x1024/60Hz, 1280x720/60Hz, 1024x768/60Hz	
Recording Resolution	1080p/960p/720p/D1/2CIF/CIF	
Audio Output	1-ch	
Synchronous Playback	4-ch	8-ch
Corridor Mode Screen	3/4	3/4/5/7/9
Decoding		
Decoding format	Ultra 265/H.265/H.264	
Liveview/Playback	1080p/960p/720p/D1/2CIF/CIF	
Capability	4 x 1080p@20, 4 x 720p@30	
Hard Disk		
SATA	1 SATA interface	
Capacity	up to 10TB for each disk	
External Interface		
Network Interface	1 RJ45 10M/100M self-adaptive Ethernet Interface	
USB Interface	Rear panel: 2 x USB2.0	
General		
Power Supply	12V DC Power Consumption: ≤3.2 W (without HDD)	
Working Environment	-10°C~+55°C (+14°F~+131°F), Humidity ≤ 90% RH (non-condensing)	
Dimensions (W×D×H)	205mm × 205mm × 47mm (8.1" × 8.1" × 1.9")	
Weight (without HDD)	0.51kg (1.12lb)	

Dimensions



Rear Panel



Zhejiang Uniview Technologies Co., Ltd.

Building No.10, Wanlun Science Park, Jiangling Road 88, Binjiang District, Hangzhou, Zhejiang, China

Email: overseasbusiness@uniview.com; globalsupport@uniview.com

<http://www.uniview.com>

©2019 Zhejiang Uniview Technologies Co., Ltd. All rights reserved.

* Product specifications and availability are subject to change without notice.