

24" LED FHD Monitor

MW3224-V



Key Features

- True color display and perfect color reproduction
- Wide viewing angle:178°(H)/ 178°(V)
- No color shift from any view angle
- Specific menu design, which is simple to operate
- Support 7*24 working and lower power consumption
- Adaptively recognize signal
- VESA stand bracket
- Support multiply language
- High fidelity digital processing for a brilliant and vivid video
- Professional thermal design to extend equipment lifespan
- Screen can reduce blue light, protect eyes
- Without ripple,use smooth dimming with DC to eliminate screen flicker
- Three sides super slim design, min width can be 2.8mm
- High light transmittance, uniform brightness, rich color, wide color gamut

Specifications

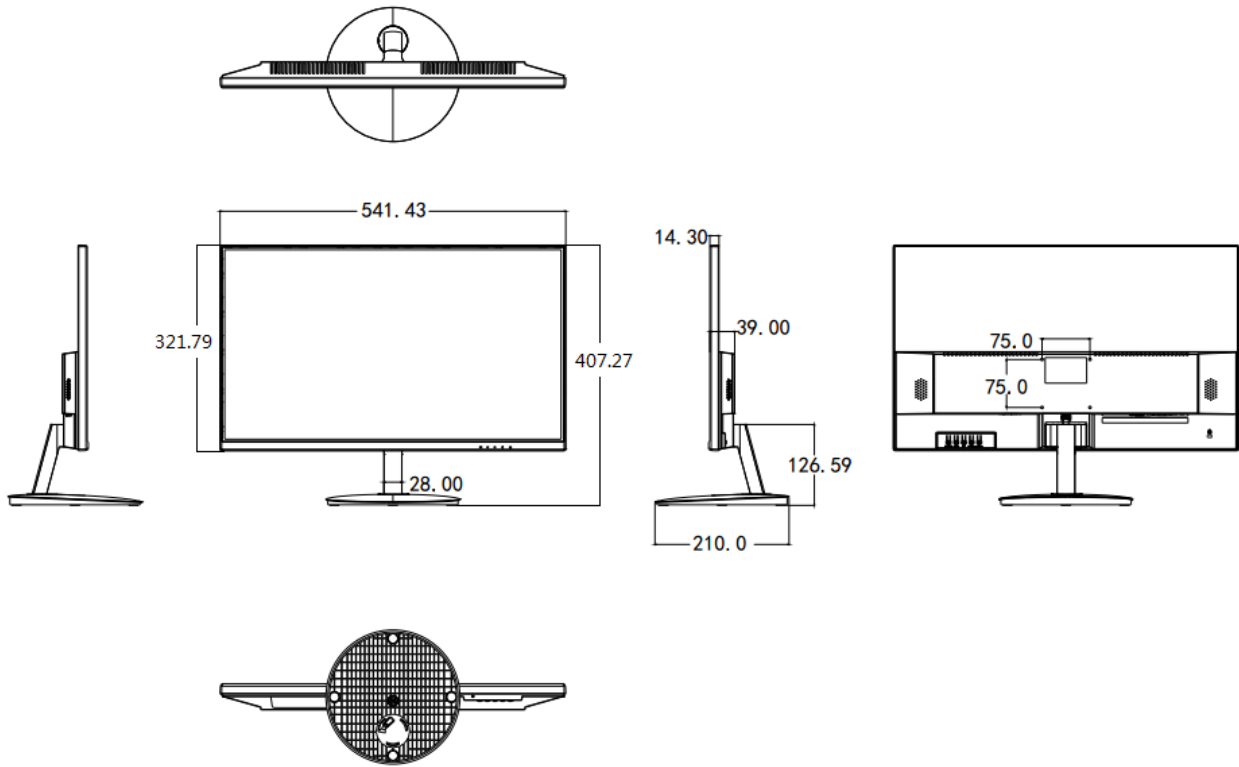
| | |
|-----------------------|---|
| Model | MW3224-V |
| Display | |
| Display Type | LED Backlight |
| Screen Size | 23.8" |
| Aspect Ratio | 16:9 |
| Pixel Pitch(mm) | 0.2745× 0.2745 |
| Max Resolution | 1920×1080 |
| Brightness | 250 cd/m ² |
| Contrast | 1000:1 |
| Response Time | 14ms |
| Color | 16.7M |
| Viewing Angle | Horizontal 178°, Vertical 178° |
| Refresh Rate | 60Hz |
| Interface | |
| Input | VGA ×1, HDMI ×1 |
| Audio | |
| Audio Input | 1, 3.5 mm mini-jack |
| Speaker | 2x2W |
| OSD | |
| Multi- Language | 8 (English, France, Spanish, German,Russia, Korea,Japanese,Simplified Chinese) |
| Mounting | |
| VESA | 75mm x 75mm |
| Wall-mounted Thread | 4-M4 Threaded hole |
| General | |
| Power supply | DC 12V,2.5A |
| Consumption | <30 W(on) <0.5 W(Standby) |
| Operation Temperature | 0°C ~ 40 °C(32°F~104°F) |
| Operating Humidity | 20%~85% (No Condensation) |
| Storage Temperature | -10°C ~50°C (14°F~122°F) |
| Storage Humidity | 10%~90% (No Condensation) |
| Dimension (W×H×D) | 541.43mm × 407.27 mm × 210mm(With Pedestal) 21.32"×16.03"×8.27"(With Pedestal) |
| Package(W×H×D) | 602mm × 394mm × 111mm (23.7"×15.51"×4.37") |
| Weight | Net Weight:3.3Kg(7.28lb) Gross Weight:4.2Kg(9.26lb) |
| Accessory | |
| Standard | HDMI cable, Power cable,Adapter, Pedestal,Quick Guide |

Optional

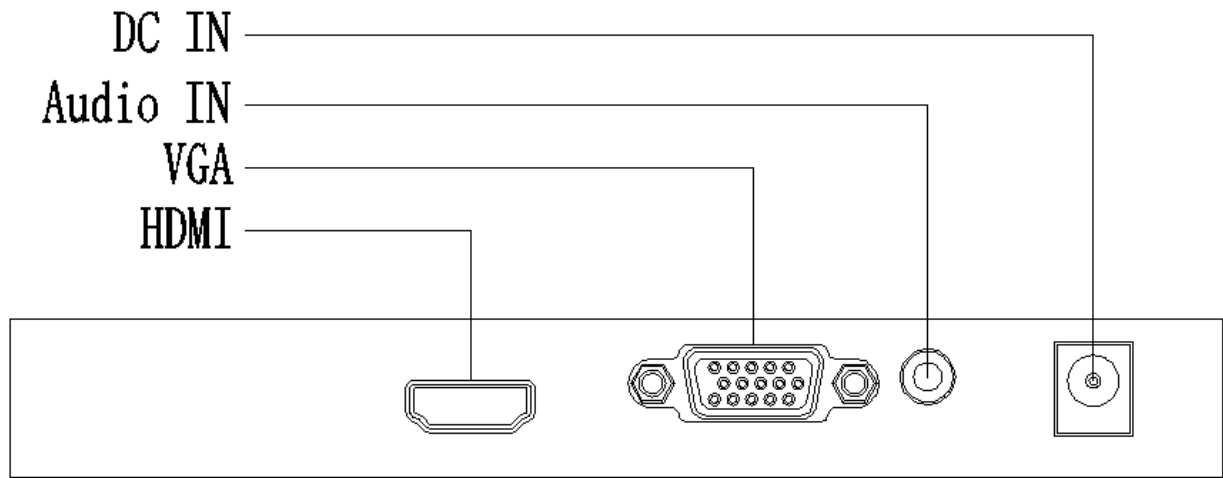
Hanging bracket(Model: HB-4022-E)

Appearance

Dimensions



Interfaces



Zhejiang Uniview Technologies Co.,Ltd.

Building No.10, Wanlun Science Park, Jiangling Road 88, Binjiang District, Hangzhou, Zhejiang, China

Email: overseasbusiness@uniview.com; globalsupport@uniview.com

<http://www.uniview.com>

©2017 Zhejiang Uniview Technologies Co.,Ltd. All rights reserved.

*Product specifications and availability are subject to change without notice.