

2MP Camera IP PTZ Starlight IR High-speed

IPC7622ER-X44U



Highlight features

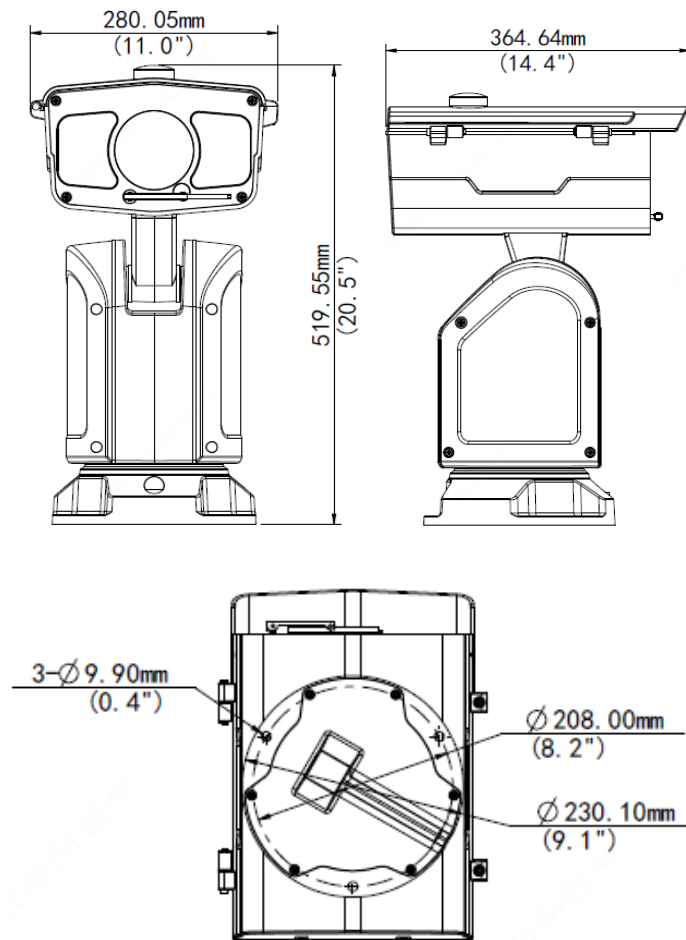
- 44X Optical Zoom(5~220mm) with wider and farther
- Gyroscope stabilization for stable picture
- Intelligent Wiper function
- Embedded gradienter to ensure the horizontal position while installation
- Up to 120 dB optical WDR (Wide Dynamic Range)
- Support Optical defog, Self-adaptive defog
- Support H.265 Video Compression
- Support 1080P@60fps, which has the smoother motion image
- Audio Sampling Rate:8~48KHz
- Power supply: 48V DC,24 V AC, 24 V DC
- Support 1/1 audio in/out, 7/2 alarm in/out ,1 Serial port RS485,1 BNC
- Support up to 256G Micro SD card
- Ingress Protection: IP66

Specifications

HIC7622-IR	IPC7622ER-X44U				
Camera					
Sensor	1/2.8" progressive scan, 2.0megapixel, CMOS				
Lens	5~220mm , AF automatic focusing and motorized zoom lens				
Digital Zoom	16				
Optical Zoom	44				
DORI Distance	Lens	Detect(m)	Observe(m)	Recognize(m)	Identify(m)
	5mm	77.6	31.0	15.5	7.8
	220mm	3413.8	1365.5	682.8	341.4
Angle of View (H)	58.2 ~ 1.5°				
Angle of View (V)	34.8°~0.8°				
Angle of View (O)	75.7°~1.8°				
Shutter	Auto/Manual, shutter time: 1s ~ 1/100000 s				
Minimum Illumination	0.002lux (F1.2, AGC ON, Colour) 0 lux with IR				
Iris	F1.2 ~ F3.5				
Day/Night	IR-cut filter with auto switch (ICR)				
Digital noise reduction	2D/3D DNR				
S/N	>52 dB				
Defog	Optical Defog				
WDR	120dB				
Video					
Video Compression	H.265, H.264, MJPEG				
Frame Rate	Main Stream:2MP (1920×1080) @60fps Sub Stream:2MP (1920×1080) @30fps; Third Stream: D1(720×576) @30fps				
HLC	Supported				
BLC	Supported				
Gyroscope	Supported				
OSD	Up to 8 OSDs				
Privacy Mask	Up to 24areas				
ROI	Up to 8 areas				
Motion Detection	Up to 4 areas				
Smart					
Behavior Detection	Intrusion detection, cross line detection, motion detection, region entrance detection, region exit detection, loitering detection, unattended baggage detection, object removal detection				
Recognition	Face detection、 Audio detection				
Statistical Analysis	People counting				
Audio					
Audio Compression	G.711				
Two-way audio	Supported				
Sampling Rate	8~48KHZ				

Storage	
Edge Storage	Micro SD, up to 256 GB
Network Storage	ANR
Network	
Protocols	IPv4、 HTTP、 HTTPS、 SSL/TLS、 FTP、 SMTP、 SNMPV1/V2/V3(MIB-II) 、 DNS、 NTP、 RTSP、 RTP、 TCP、 UDP、 IGMP、 RTCP、 ICMP、 DHCP、 ARP
Compatible Integration	ONVIF (Profile S, Profile G, Profile T), API
Pan & Tilt	
Pan Range	360°
Pan Speed	0.1°/s ~140°/s
	Preset speed: 140°/s
Tilt Range	-90° ~ +45° (auto reverse)
Tilt Speed	0.1° ~40°/s
	Preset speed:40°/s
Number of Presets	1024
Patrol	Preset patrol, route patrol, recorded patrol
Power-off memory	Supported
Keep watch	Supported
Interface	
Audio I/O	1 Input: impedance 35 kΩ; amplitude 2 V [p-p]
	1 Output: impedance 600 Ω; amplitude 2 V [p-p]
Alarm I/O	7/ 2
Serial Port	1 RS485
Network	10M/100M/1000M Base-TX Ethernet
Video Output	1 BNC, impedance 75 Ω; amplitude 1 V [p-p]
General	
Power	48V DC, 24 V AC, 24 V DC
	Power consumption: Max 87.8W
Dimensions (Ø x H)	280.05mmx364.64mm x519.55mm (Φ11.0" x 14.4" x20.5")
Weight	13.98kg(30.8lb)
Working Environment	-40°C ~ +70°C (-40°F ~ 158°F), Humidity: ≤95% RH (non-condensing)
Ingress Protection	IP66

Dimensions



Zhejiang Uniview Technologies Co., Ltd.

South Tower, Building 10, Wanlun Science Park, 88 Jiangling Road, Hangzhou, P.R.China 310051

Email: overseasbusiness@uniview.com; globalsupport@uniview.com

<http://www.uniview.com>

©2019 Zhejiang Uniview Technologies Co., Ltd. All rights reserved.

*Product specifications and availability are subject to change without notice.