

8MP Network IR Fixed Dome Camera

IPC3618LR3-DPF28-MS



Key Features

Optics

- Day/night functionality
- Smart IR , up to 30m (98ft) IR distance
- Optical glass window with higher light transmittance
- IR anti-reflection window to increase the infrared transmittance

- 2D/3D DNR (Digital Noise Reduction)
- Day/night functionality
- Up to 120dB WDR (Wide Dynamic Range)

Compression

- Ultra 265, H.264, MJPEG
- Intrusion detection
- Triple streams
- 9:16 corridor format

Network

- ONVIF Conformance

Structure

- Wide temperature range: -30°C ~ 60°C (-22°F ~ 140°F)
- Wide voltage range of ±25%
- IP67
- 3-Axis

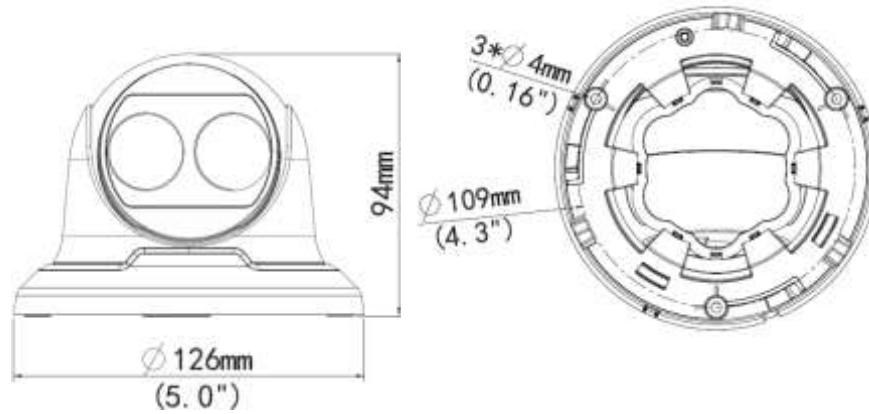
Specifications

	IPC3618LR3-DPF28-MS
Camera	
Sensor	1/2.7", 8.0 megapixel, progressive scan, CMOS
Lens	2.8mm@F2.0
Angle of view (H)	118.5°

Angle of view (V)	64.0°				
Angle of view (O)	154.1°				
DORI Distance	Lens (mm)	Detect (m)	Observe (m)	Recognize (m)	Identify (m)
	2.8	77.8	31.1	15.6	7.8
Adjustment Range	Pan: 0° ~ 360°		Tilt: 0° ~ 90°		Rotation: 0° ~ 360°
Shutter	Auto/Manual, 1 ~ 1/100000s				
Minimum Illumination	Color: 0.05Lux (F2.0, AGC ON) 0Lux with IR				
Day/Night	IR-cut filter with auto switch (ICR)				
Digital noise reduction	2D/3D DNR				
S/N	>56dB				
IR Range	Up to 30m (98ft) IR range				
Defog	Digital Defog				
WDR	120dB				
Video					
Video Compression	Ultra 265, H.264, MJPEG				
H.264 code profile	Baseline profile, Main Profile, High Profile				
Frame Rate	Main Stream: 8MP (3840*2160), Max 15fps; Sub Stream: 1080P (1920*1080), Max 30fps; Third Stream: D1 (720*576), Max 30fps				
HLC	Supported				
BLC	Supported				
9:16 Corridor Mode	Supported				
OSD	Up to 8 OSDs				
Privacy Mask	Up to 8 areas				
ROI	Up to 8 areas				
Motion Detection	Up to 4 areas				
Smart					
Behavior Detection	motion detection				
Intrusion	Enter and loiter in a pre-defined virtual region				
Intelligent Identification	Defocus, Scene Change				
Statistical Analysis	People counting				
General Function	Watermark, IP Address Filtering, Tampering Alarm, Access Policy, ARP Protection, RTSP Authentication, User Authentication				
Network					
Protocols	IPv4, IGMP, ICMP, ARP, TCP, UDP, DHCP, RTP, RTSP, RTCP, DNS, DDNS, NTP, FTP, UPnP, HTTP, HTTPS, SMTP, SSL, QoS				
Compatible Integration	ONVIF (Profile S, Profile T), API				
Interface					
Network	10M/100M Base-TX Ethernet				
General					
Power	DC 12V±25%, PoE (IEEE 802.3af)				
	Power consumption: Max 5.5W				
Dimensions (Ø x H)	Ø126 x 94mm (Ø5.0" x 3.7")				
Weight	0.45kg (0.99lb)				
Operating Conditions	-30°C ~ 60°C (-22°F ~ 140°F), Humidity: ≤95% RH (non-condensing)				

Ingress Protection	IP67
--------------------	------

Dimensions



Zhejiang Uniview Technologies Co., Ltd.

Building No.10, Wanlun Science Park, Jiangling Road 88, Binjiang District, Hangzhou, Zhejiang, China (310051)

Email: overseasbusiness@uniview.com; globalsupport@uniview.com

<http://www.uniview.com>

©2019 Zhejiang Uniview Technologies Co., Ltd. All rights reserved.

*Product specifications and availability are subject to change without notice.