

2MP HD WDR Fixed IR Bullet Network Camera

IPC2122LB-ADF28(40)KM-G



Key Features



- High quality image with 2MP, 1/2.7"CMOS sensor
- 2MP (1920*1080)@30/25fps; 720P (1280*720)@30/25fps
- Ultra 265, H.265, H.264, MJPEG
- 120dB true WDR technology enables clear image in strong light scene
- Support 9:16 Corridor Mode
- Built-in Mic
- Smart IR, up to 30m (98ft) IR distance
- Supports 128 G Micro SD card
- Support PoE power supply
- 3-Axis

IPC2122LB-ADF28KM-G

IPC2122LB-ADF40KM-G

Camera

| | | | | | |
|-------------------------|---|------------|----------------|---------------|-------------------|
| Sensor | 1/2.7", 2.0 megapixel, progressive scan, CMOS | | | | |
| Lens | 2.8mm@F2.0 | | 4.0mm@F2.0 | | |
| DORI Distance | Lens (mm) | Detect (m) | Observe (m) | Recognize (m) | Identify (m) |
| | 2.8 | 42.0 | 16.8 | 8.4 | 4.2 |
| | 4.0 | 60.0 | 24.0 | 12.0 | 6.0 |
| Angle of View (H) | 112.9° | | 91.2° | | |
| Angle of View (V) | 59.1° | | 47.9° | | |
| Angle of View (O) | 121.2° | | 95.9° | | |
| Adjustment Angle | Pan: 0° ~ 360° | | Tilt: 0° ~ 90° | | Rotate: 0° ~ 360° |
| Shutter | Auto/Manual, 1 ~ 1/100000s | | | | |
| Minimum Illumination | Colour: 0.01Lux (F2.0, AGC ON) 0Lux with IR | | | | |
| Day/Night | IR-cut filter with auto switch (ICR) | | | | |
| Digital Noise Reduction | 2D/3D DNR | | | | |
| S/N | >52dB | | | | |
| IR Range | Up to 30m (98ft) IR range | | | | |
| Wavelength | 850nm | | | | |
| IR On/Off Control | Auto/Manual | | | | |
| Defog | Digital Defog | | | | |
| WDR | 120dB | | | | |

Video

| | |
|--------------------|--|
| Video Compression | Ultra 265, H.265, H.264, MJPEG |
| H.264 code profile | Baseline profile, Main profile, High profile |
| Frame Rate | Main Stream: 1080P (1920*1080), Max 30fps; 720P (1280*720), Max 30fps Sub Stream: 720P (1280*720), Max 30fps; D1 (720*576), Max 30fps; 640*360,Max 30fps; 2CIF(704*288), Max 30fps; CIF(352*288), Max 30fps; |
| Video Bit Rate | 128 Kbps~16 Mbps |
| OSD | Up to 4 OSDs |
| Privacy Mask | Up to 4 areas |
| ROI | Up to 8 areas |
| Motion Detection | Up to 4 areas |

Image

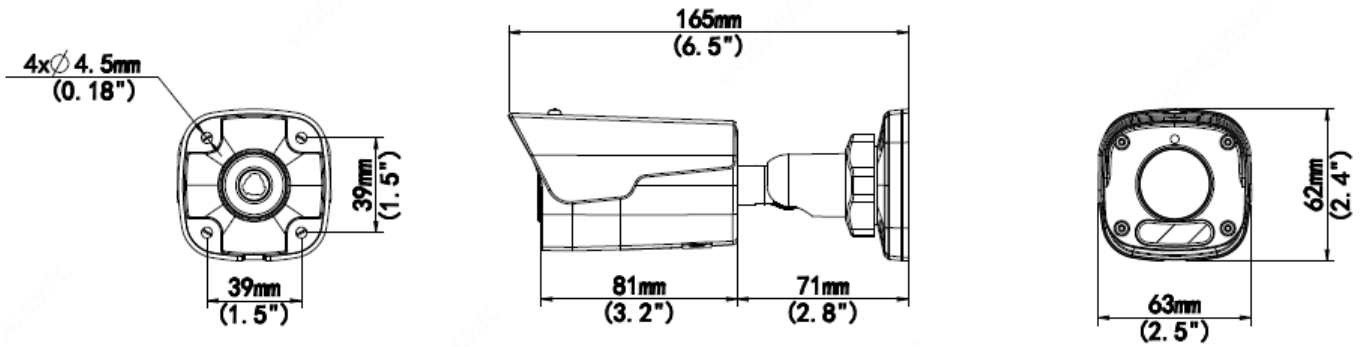
| | |
|-------------------------|---|
| White Balance | Auto/Outdoor/Fine Tune/Sodium Lamp/Locked/Auto2 |
| Digital Noise Reduction | 2D/3D DNR |
| Smart IR | Supported |
| Flip | Normal/Vertical/Horizontal/180° |
| Dewarping | N/A |
| HLC | Supported |
| BLC | Supported |

Network

| | |
|-----------|--|
| Protocols | IPv4, IGMP, ICMP, ARP, TCP, UDP, DHCP, RTP, RTSP, RTCP, DNS, DDNS, NTP, FTP, UPnP, HTTP, HTTPS, SMTP, QoS, SSL, SNMP |
|-----------|--|

| | |
|------------------------|--|
| Compatible Integration | ONVIF (Profile S, Profile G, Profile T), API |
| Client | EZStation EZView EZLive |
| Audio | |
| Audio Compression | G.711 |
| Suppression | Supported |
| Sampling Rate | 8KHZ |
| Storage | |
| Edge Storage | Micro SD, up to 128GB |
| Network Storage | ANR,NAS(NFS) |
| Interface | |
| Network | 10/100M Base-TX Ethernet |
| Built-in Mic | Supported |
| Certifications | |
| Certifications | CE: EN 60950-1 UL: UL60950-1 FCC: FCC Part 15 |
| General | |
| Power | DC 12V±25%, PoE (IEEE 802.3af) |
| | Power consumption: Max 7.0W |
| Dimensions (L × W × H) | 165 × 63 × 62mm (6.5" × 2.5" × 2.5") |
| Net Weight | 0.39kg (0.86lb) |
| Material | Metal + plastic |
| Working Environment | -30°C ~ 60°C (-22°F ~ 140°F), Humidity: ≤95% RH (non-condensing) |
| Storage Environment | -30°C ~ 60°C (-22°F ~ 140°F), Humidity: ≤95% RH (non-condensing) |
| Surge Protection | 2KV |
| Ingress Protection | IP67 |
| Reset Button | N/A |

Dimensions



Accessories

TR-UP06-B-IN



TR-JB05-A-IN



TR-UP06-C-IN



TR-A01-IN



Zhejiang Uniview Technologies Co., Ltd.

Building No.10, Wanlun Science Park, Jiangling Road 88, Binjiang District, Hangzhou, Zhejiang, China (310051)

Email: overseasbusiness@uniview.com; globalsupport@uniview.com

<http://www.uniview.com>

©2020 Zhejiang Uniview Technologies Co., Ltd. All rights reserved.

*Product specifications and availability are subject to change without notice.