

2MP ANPR Bullet Camera

HC121



Features

Optics

- Starlight optical sensor with built-in integrated IR illumination to provide better nighttime images with minimum light pollution
- 2MP industrial quality sensor, 1920*1080 video image resolution
- Motorized zoom lens, flexible adjustment of focus range according to the scene, easy installation
- Automatic gain control, white balance, and WDR, ideal for various lighting conditions

Compression

- Supports 1080P@60fps image collection
- Supports one image stream, triple video streams
- Supports 1080P@60fps live video streams
- H.265
- Custom OSD of various vehicle information

Functions & features

- Built-in vehicle & license plate recognition algorithm can recognize standard license plates of multiple countries.
- Recognizes vehicle body colors and characteristics (daytime)
- Supports blacklist and whitelist configuration
- Collaborates with lanes to control the entry & exit of vehicles and trigger gate opening
- Supports the switch between road mode and entry/exit mode
- 8GB eMMC, expansion up to 256GB
- Supports edge storage to prevent data loss in case of disconnected network
- Tamper-proof info and records
- Supports identification of fake license plates
- Provides multiple 3rd-party integration methods including SDK and Socket.

Network

- Network adaption ensures effective surveillance even in abnormal environments such as packet loss
- Supports SNMP and SIP
- UNP technology for NAT traversal

Network Security

- Supports user authorization and password, detection of weak password, and account lock-up when failed login attempts reaches the limit
- Supports secure Web access through HTTPS
- Supports RTSP authentication prevents unauthorized video request
- Supports IP address filtering
- Supports gateway ARP protection to prevent MAC address spoofing

Structure

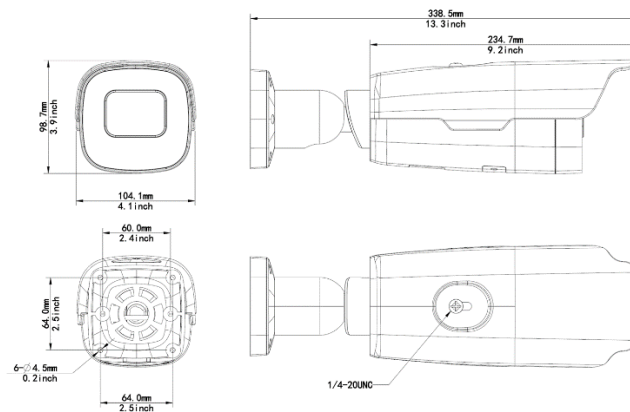
- Provides AC24V/DC12V power supply and supports PoE
- Cast aluminum body, efficient heat dissipation
- IP67, IK10

Specifications

HC121	TCR-08S-Z28
Camera	Description
Sensor	1/2.8", 2MP CMOS
Focal length	2.8-12mm, motorized zoom
Shutter	Auto/Manual, range: 1/25-1/100000 s
Minimum illumination	0.001lux (F1.6)
Image	Description
Max resolution	1920 x 1080@60fps
Video compression	H.265, H.264, JPEG
Region of Interest (ROI)	Support
Video OSD	Supports 8 overlay areas and allows contents including date, time, date+time, custom contents
Photo OSD	Allows contents including time, license plate number, device ID, camera ID, vehicle body color, whitelist, image authentication ID, custom content (3 items), location
Smart	Description
Application	Road, entrance & exit (default)
Vehicle detection mode	Trigger by video (default) or coil
Intelligent recognition	License plate number, number of characters on plate, vehicle body color (daytime)
List configuration	Supports whitelist and blacklist configuration, allows import, export, add, and delete operations
Let through policy	Trigger gate opening by recognized vehicles Trigger gate opening by all vehicles Trigger gate opening by whitelist Trigger gate opening by non-blacklist Configurable boolean output ID
Storage	Description
Edge storage	Built-in 8GB eMMC, supports Automatic Network Replenishment (ANR)
Storage expansion	Supports Micro SD card expansion, up to 256GB.
Structure	Description
Illuminator	Built-in integrated illumination module, including 4 IR LEDs, 50m illumination distance, automatic on/off control.
Sunshield	Long sunshield

Bracket	3-axis mounting bracket
Interface	Description
Network interface	1×10M/100M RJ45 network interface
Serial port	1*RS485
Boolean output	1 relay output, withstand voltage: AC 125V/0.3A, DC 30V/1A
Boolean input	2 inputs, supports level/boolean, with max level up to DC 5V
Audio I/O	1/1
Storage interface	1*Micro SD card slot
General	Description
Power supply	AC24 ± 20% / DC12V + 25% - 10%
	Power consumption: ≤20W
	Supports PoE(802.3at, class 4)
Dimensions (L×W×H)	338.8mm x 104.1mm x 98.4mm
Weight	1.65 kg
Operating environment	-40℃~60℃, ≤90% RH
Ingress protection	IP67, IK10

Dimensions



Typical Applications

The HC121 series are mainly used to recognize license plates of vehicles on low-speed roads (such as roads near the entrance/exit of parks, lanes in underground parking lots). With an intelligent illumination system the HC121 series can detect, recognize and capture vehicles in all weather conditions. The HC121 series feature high vehicle capture rate, high plate recognition accuracy.

Order Info

Model	Configuration	Remarks
HC121	TCR-08S-Z28	UNV 2MP ANPR Bullet Camera (2.8-12mm, WDR, starlight, PoE, H.265, IR)

Recommended Accessories

Mount	Bracket	Example	Remarks
Wall mount	\	\	Use the mount kit delivered with the camera
Pendent mount	\	\	Use the mount kit delivered with the camera

<p>Pole mount</p>	<p>TR-UP06-IN</p>		<p>Common pole-mount bracket</p>
-------------------	-------------------	---	----------------------------------