

Smart Wireless Cube Camera

C1L-2WN



Key Features

- Day/night functionality
- Smart IR , up to 10 m (32 ft) IR distance
- Built-in Mic/Speaker
- Wi-Fi
- Micro SD, up to 256GB

Specifications

Camera	Sensor	1/2.7", 2.0 megapixel, progressive scan, CMOS
	Lens	2.8mm@F2.0
	Angle of View (H)	100°
	Axis	3-Axis
	Day/Night	IR-cut filter with auto switch (ICR)
	Minimum Illumination	Colour: 0.01Lux (F2.0, AGC ON) 0Lux with IR on
	IR Range	Up to 10m (32ft) IR range
	WDR	DWDR
Video	Video Compression	Ultra 265, H.265, H.264, MJPEG

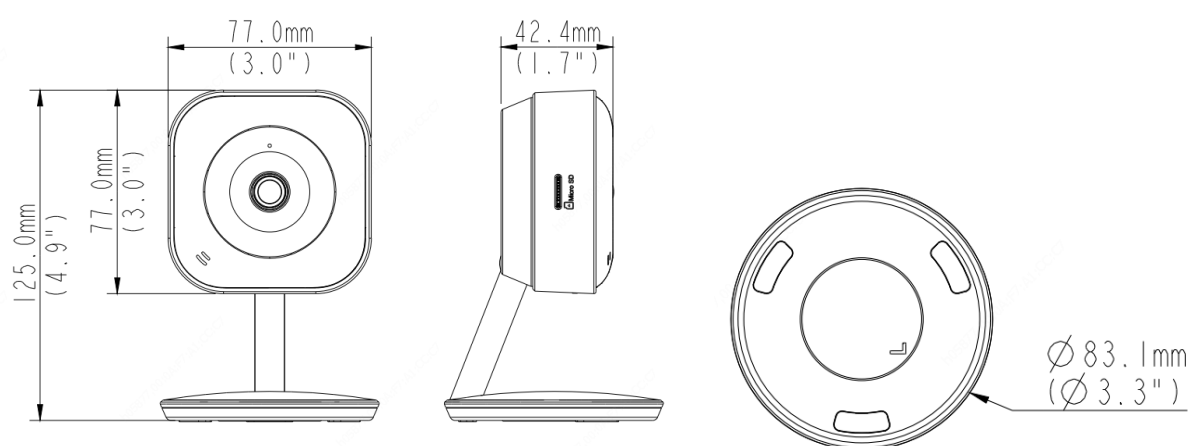
	Frame Rate	Main Stream: 1080P (1920*1080), Max 30fps; Sub Stream: 720P (1280*720), Max 30fps;
	Motion Detection	Supported
	Tampering Alarm	Supported
	Audio detection	Supported
	Human Body Detection	Supported

Storage	Edge Storage	Micro SD, up to 256GB
----------------	--------------	-----------------------

Wi-Fi	Wireless Standards	IEEE 802.11b/g/n
	Frequency Range	2.4GHz ~ 2.4835GHz
	Frequency Bandwidth	20MHz

Interface	Built-in Mic	Supported
	Built-in Speaker	Supported
	Network	100M Base-TX Ethernet

General	Power	DC 5V±10%
		Power consumption: Max 2.3W
	Weight	0.14kg (0.31lb)
	Working Environment	-10°C ~ 40°C (14°F ~ 104°F), Humidity: ≤95% RH(non-condensing)
	Dimensions (L × W × H)	77.0 x 42.4 x 125.0mm (3.0" × 1.7" × 4.9")
	Reset Button	Supported



Zhejiang Uniview Technologies Co., Ltd.

Building No.10, Wanlun Science Park, Jiangling Road 88, Binjiang District, Hangzhou, Zhejiang, China (310051)

Email: overseasbusiness@uniview.com; globalsupport@uniview.com

<http://www.uniview.com>

©2020 Zhejiang Uniview Technologies Co., Ltd. All rights reserved.

*Product specifications and availability are subject to change without notice.